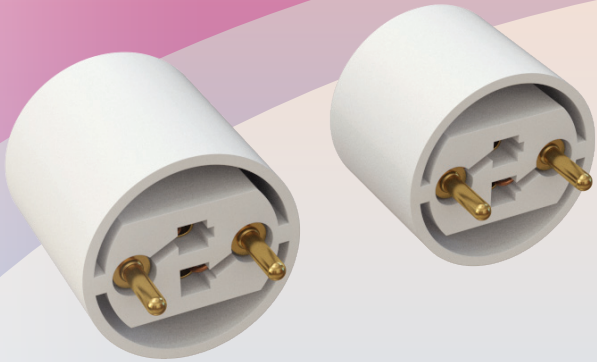
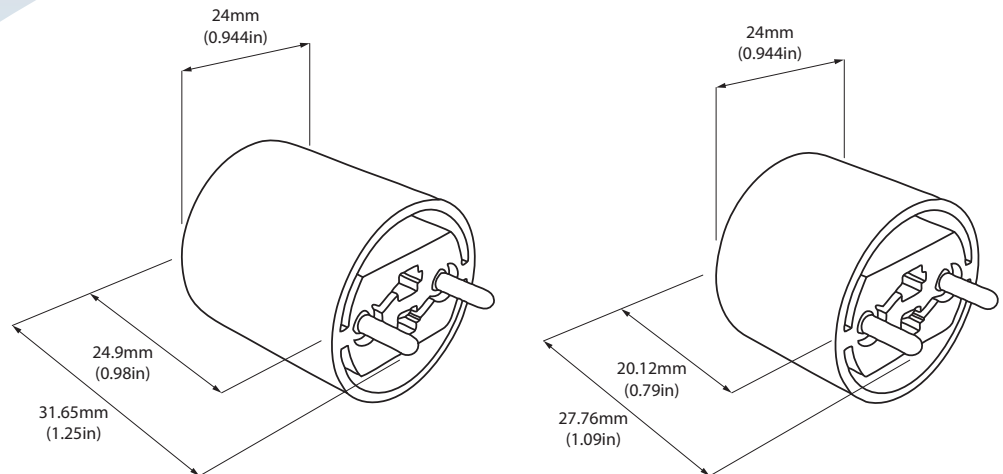


Lampholder adapters



Lumiversal Lampholder Adapters affix to the existing T12/T8 lampholders, enabling a T5 lamp to fit within the T12/T8 fixture. These adapters are what allows the existing T12/T8 fixtures to become compatible with T5 lamps. Without these lampholders, the fixture would be useless. The Lampholder Adapters are compatible with all 2', 3', 4' and 5' T12/T8 to T5 linear fluorescent retrofits.

Lampholder Adapter Dimensions



Ordering Information

When retrofitting linear fluorescent fixtures using T12 or T8 lamps, order Lampholder Adapters in the following way:

Ordering number

LCM - EP / N - S

LCM End-pieces

Size of End-pieces

N-S = Normal (32mm)

S-S = Small (27mm)

Existing Fixture
Lamp Length

Order for each lamp you
intend to install (in / mm)

2'	(2) 1.06 / 27 (Small)
3'	(1) 1.06 / 27 (Small) & (1) 1.25 / 32 (Normal)
4'	(2) 1.25 / 32 (Normal)
5'	(2) 1.25 / 32 (Normal)

Warranty

Lumiversal Lampholder Adapters come with a 5-year, full-replacement warranty. For additional warranty information, please visit www.lumiversal.com