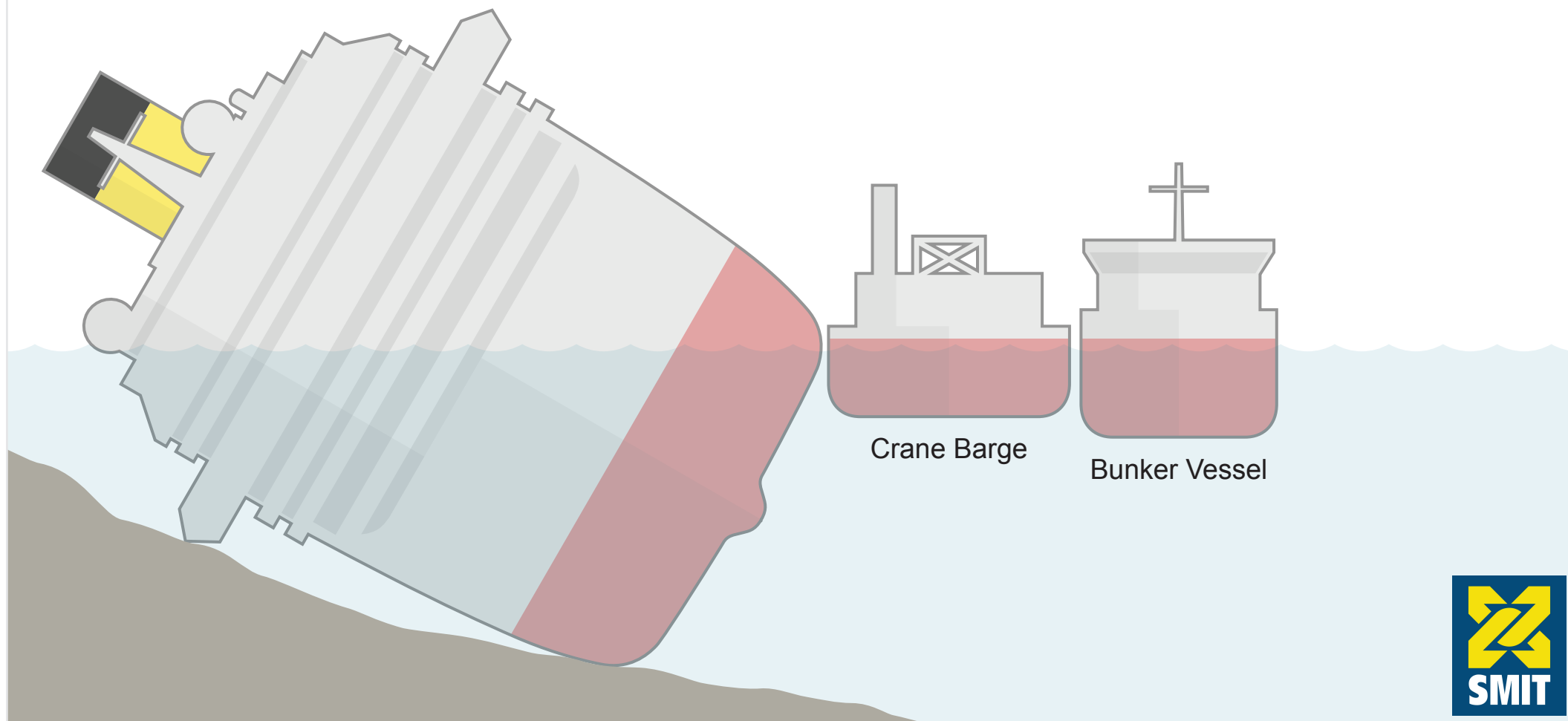


Costa Concordia

oil rescue operation

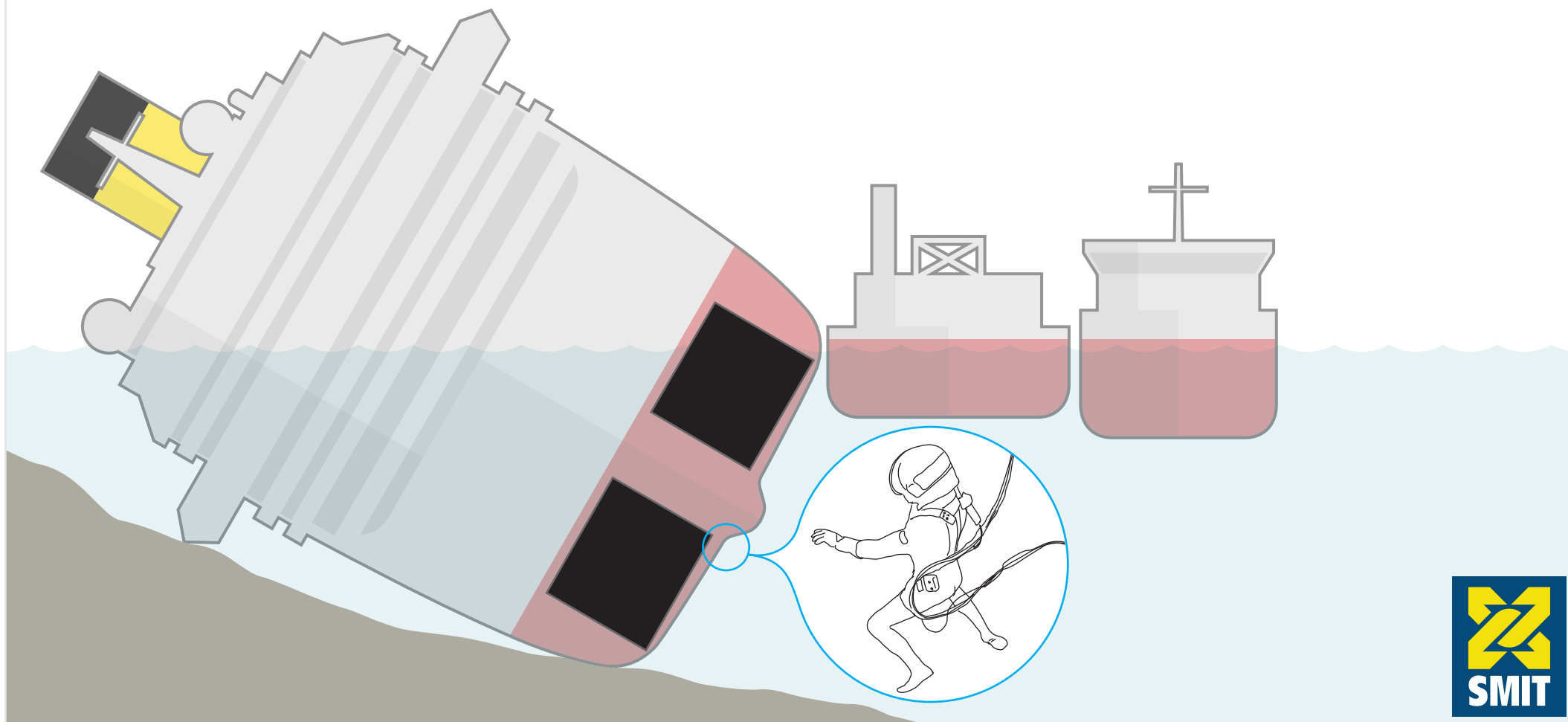
slide 1: Crane Barge and Bunker Vessel are positioned



Costa Concordia

oil rescue operation

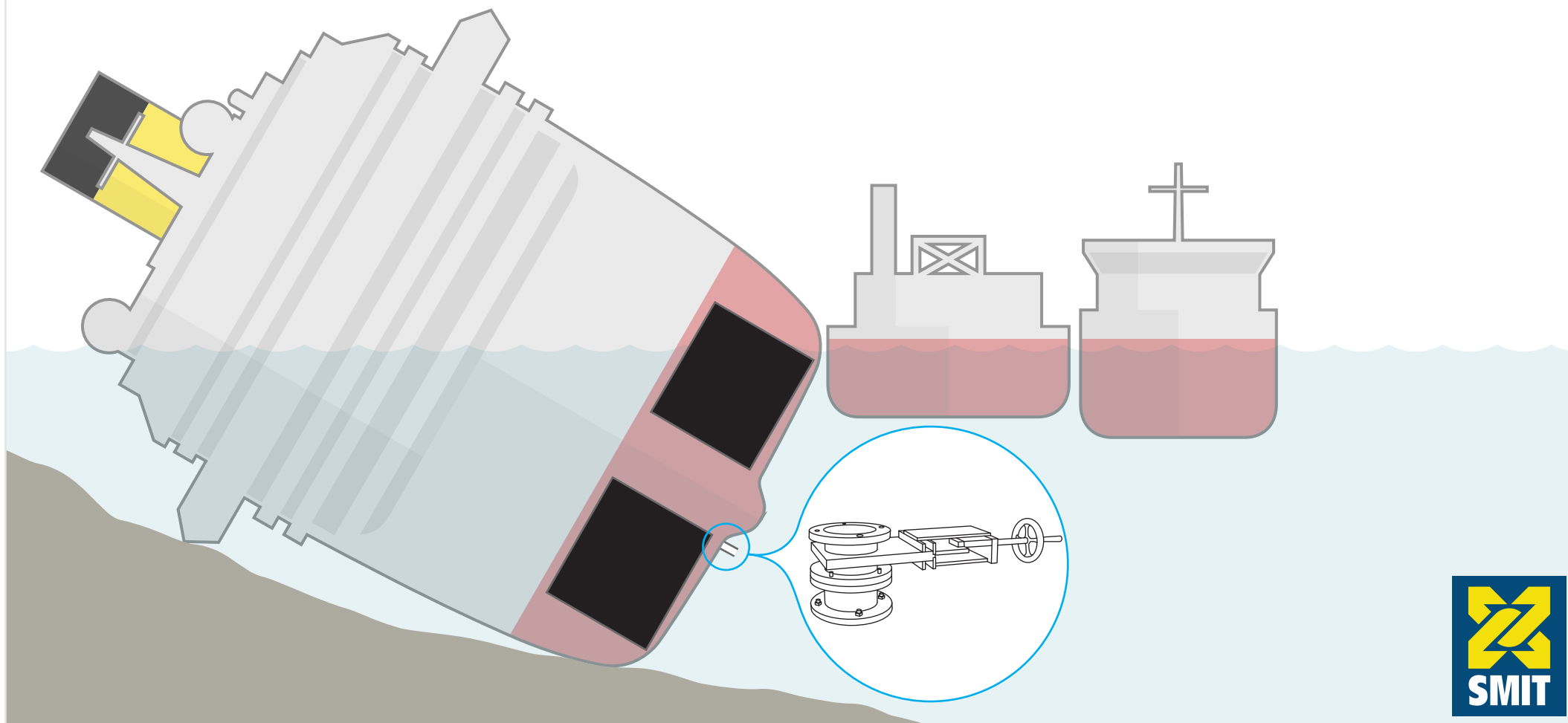
slide 2: Ship is inspected for state and possible leaks



Costa Concordia

oil rescue operation

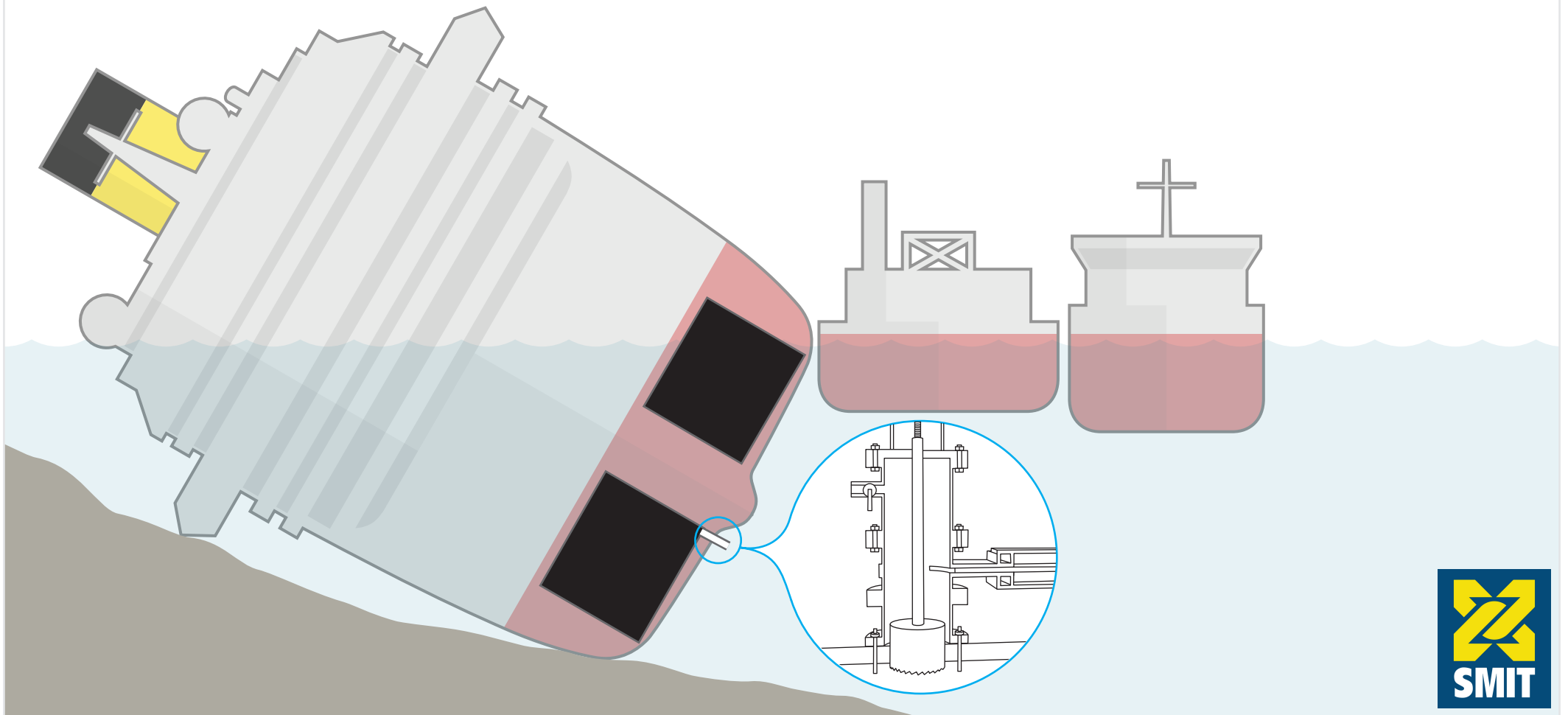
slide 3: Flange and valve are attached to the hull



Costa Concordia

oil rescue operation

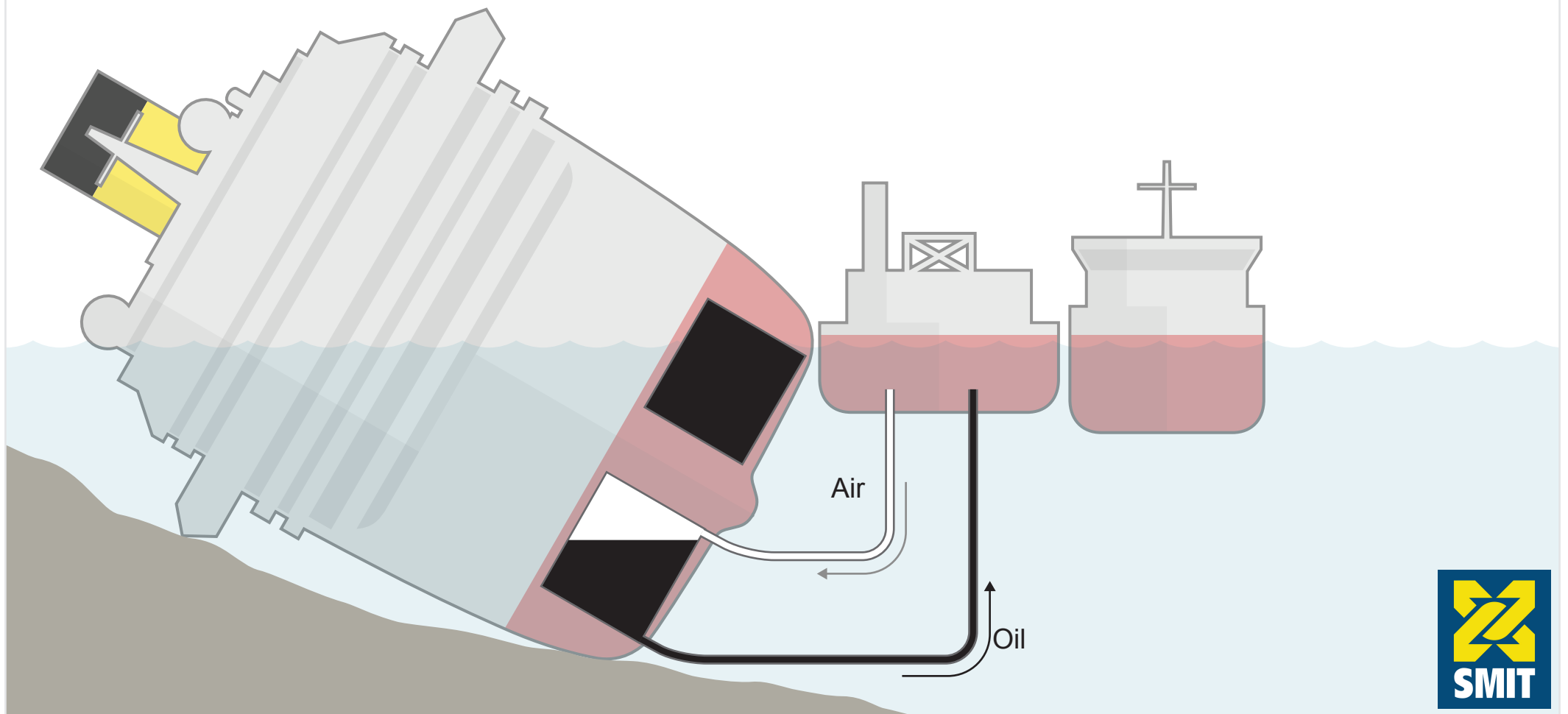
slide 4: A hole is drilled through the hull and into the tank



Costa Concordia

oil rescue operation

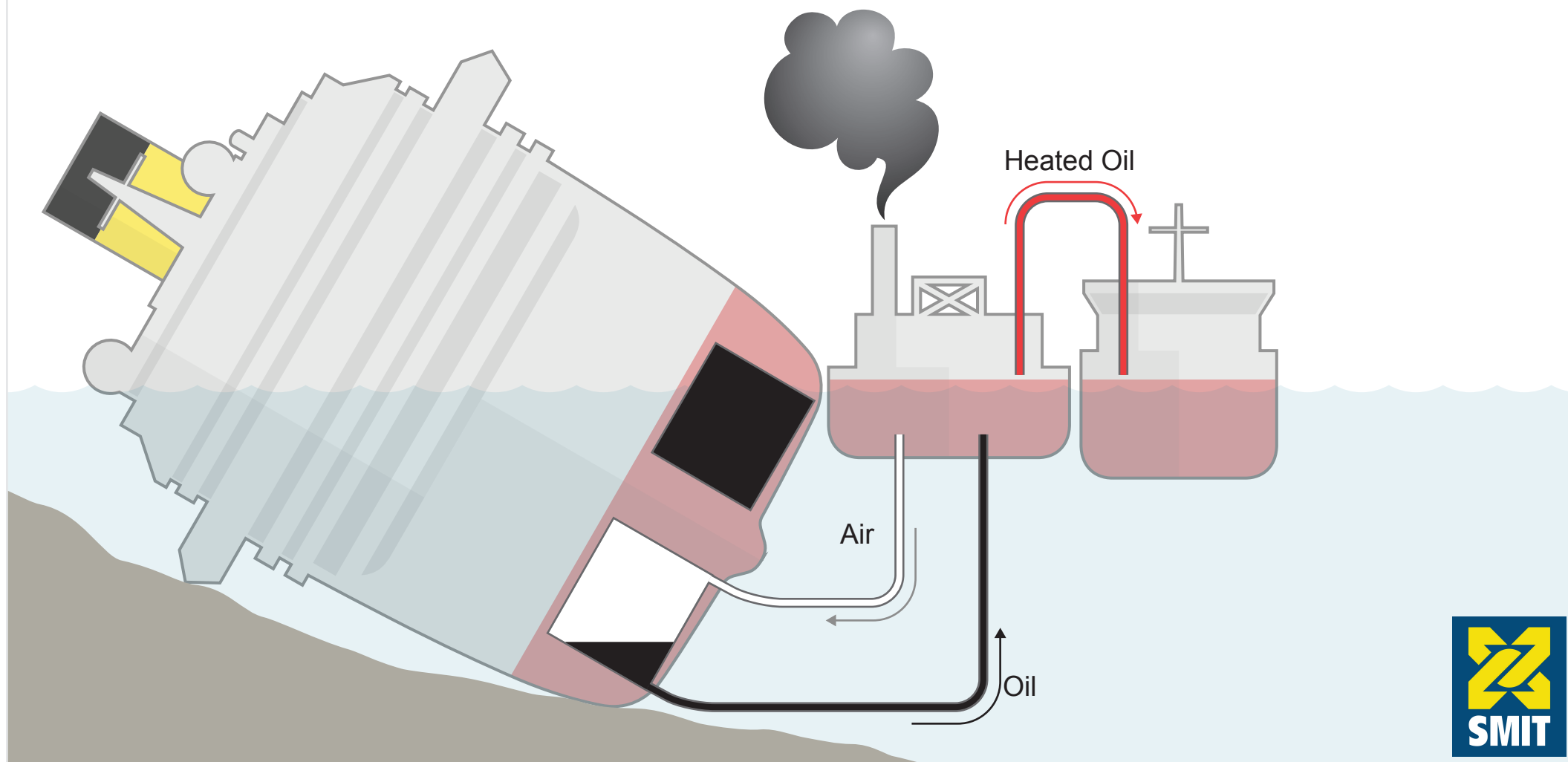
slide 5: Oil is sucked out and replaced with air



Costa Concordia

oil rescue operation

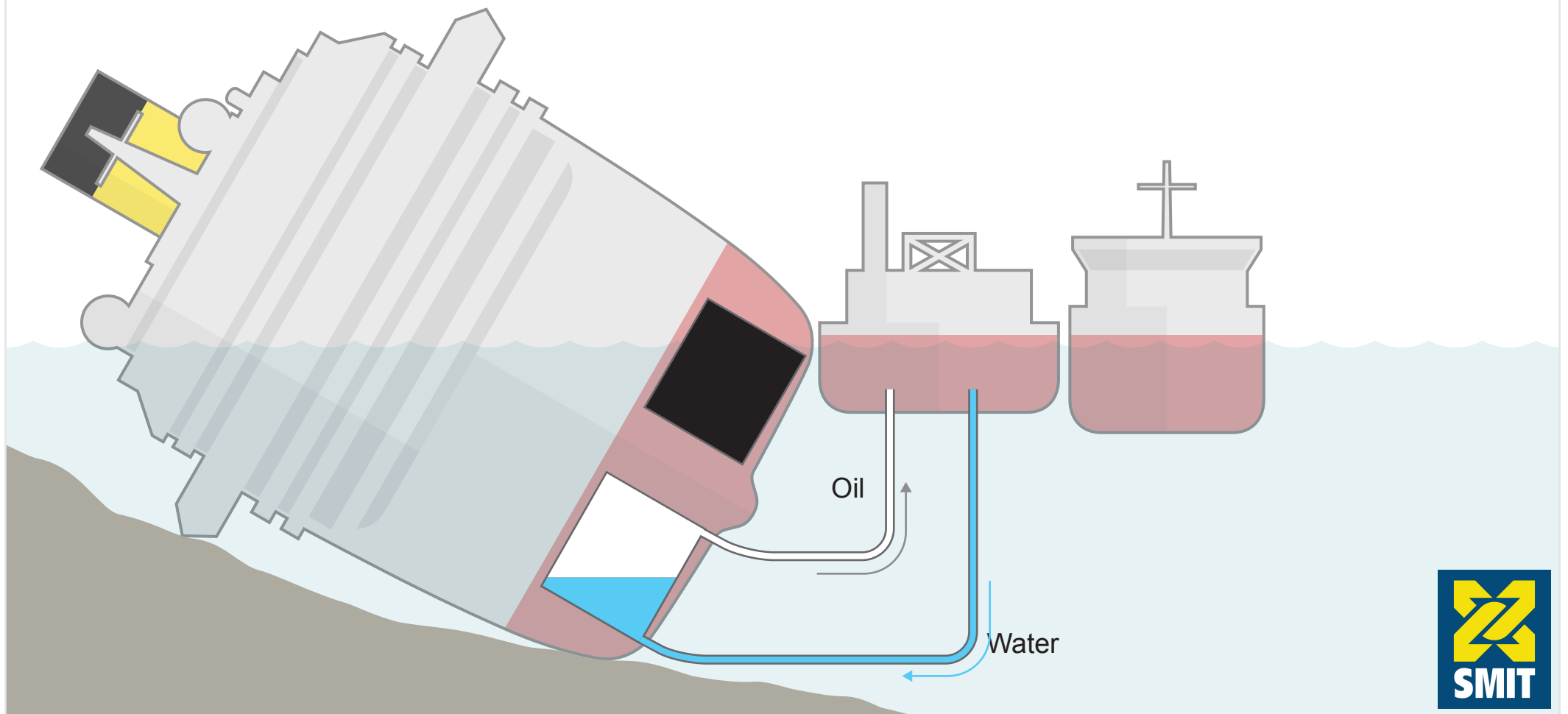
slide 6: Oil is heated and transported to the Bunker Vessel



Costa Concordia

oil rescue operation

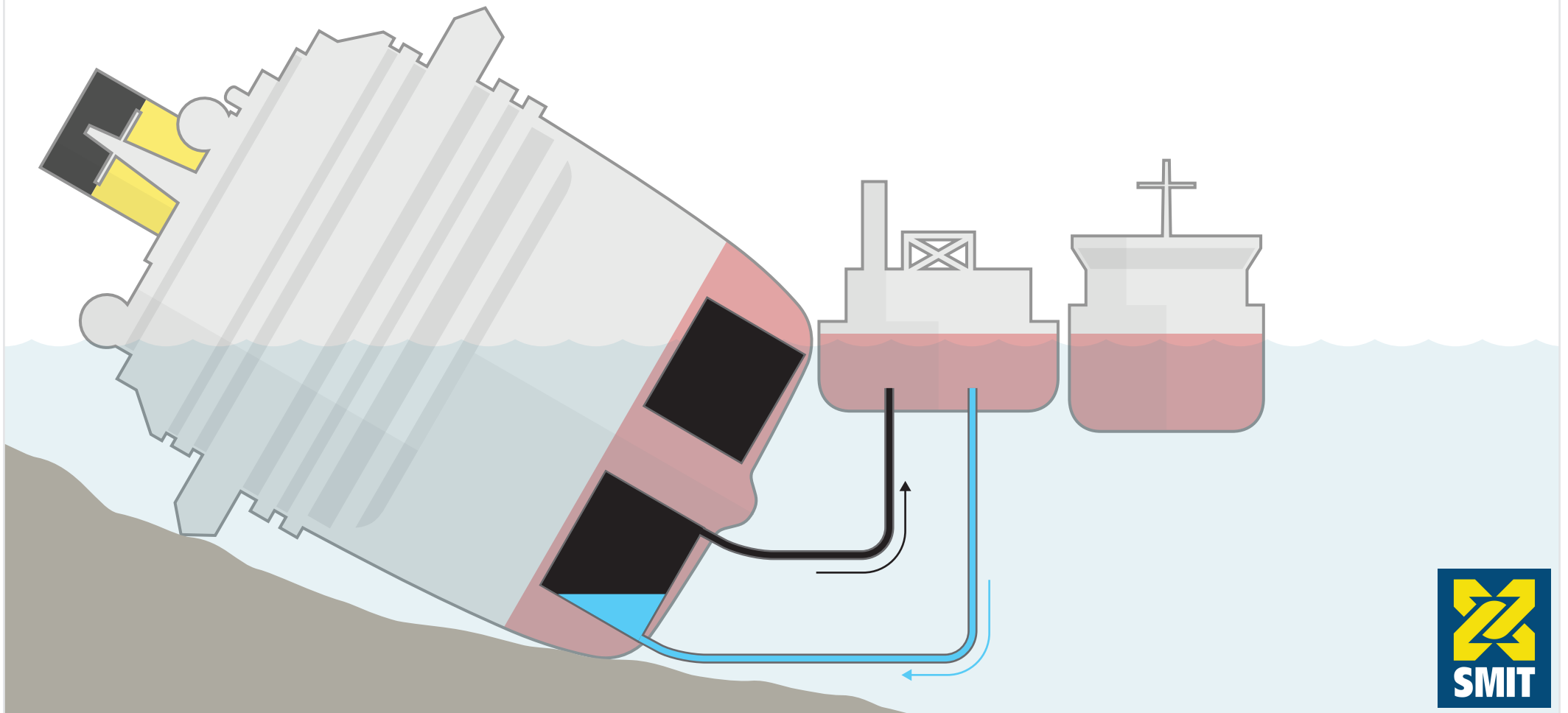
slide 7: Tanks are filled with water



Costa Concordia

oil rescue operation

slide 8: Tanks are filled with water



Costa Concordia

oil rescue operation

slide 9: Tanks are filled with water

